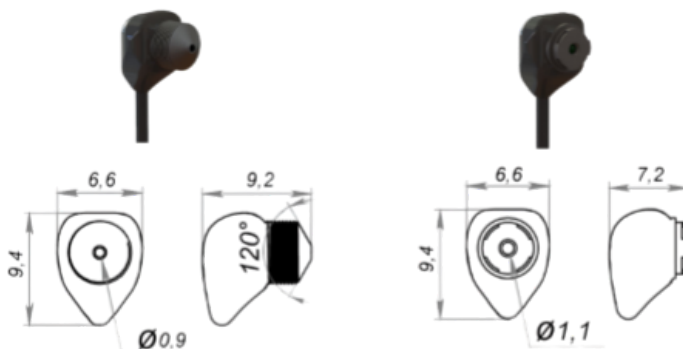




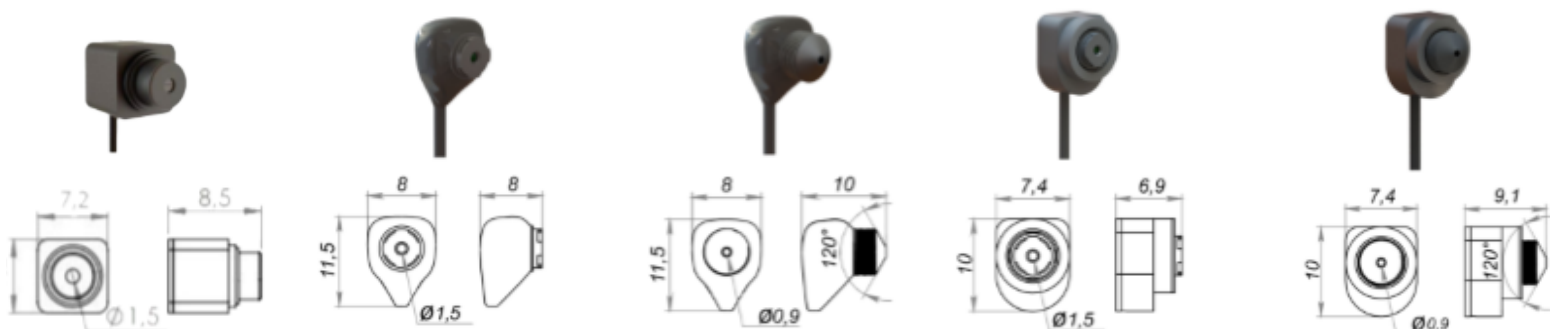
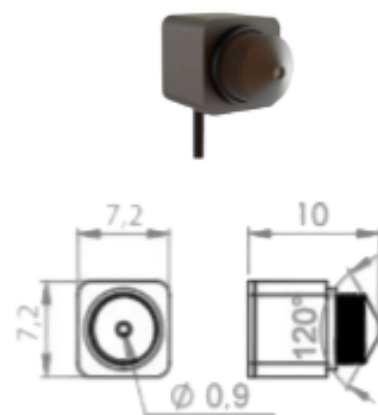
**SIT-CAM-MC 105 ANE**

<b>Model</b>	SIT-CAM-MC 105 ANE
<b>Video format</b>	NTSC / PAL
<b>Number of pixels</b>	960x576 CVBS
<b>Matrix</b>	1/7" COLOR COMOS
<b>Lens</b>	Pinhole M5
<b>Cable length</b>	0.8 m (black, white, gray)
<b>Operating temperature</b>	-10 to 60 Degree C
<b>Feeding</b>	Camera input: DC 3.3V (0.24W) DC-DC converter 12V (0.27W)



**SIT-CAM-MC 106 ANC/ANO/ANE SIT-CAM-MC 106 HDC/HDO/HDE SIT-CAM-MC 106 FDC/FDO/FDE**

<b>Model</b>	SIT-CAM-MC 106 ANC/ANO/ANE	SIT-CAM-MC 106 HDC/HDO/HDE	SIT-CAM-MC 106 FDC/FDO/FDE
<b>Video format</b>	NTSC / PAL	NTSC / PAL	NTSC / PAL
<b>Number of pixels</b>	960x576 CVBS	1280x720p AHD 1.0	1920x1080p AHD 2.0
<b>Matrix</b>	1/4" COLOR COMOS	1/4.2" COLOR COMOS	1/4.2" COLOR COMOS
<b>Lens</b>	Pinhole M7	Pinhole M7	Pinhole M7
<b>Cable length</b>	0.8 m (black, white, gray)		
<b>Operating temperature</b>	-10 to 60 Degree C		
<b>Feeding</b>	Camera input: DC 3.3V (0.18W) DC-DC converter 12V (0.27W)	Camera input: DC 3.3V (0.25W) DC-DC converter 12V (0.29W)	Camera input: DC 3.3V (0.27W) DC-DC converter 12V (0.31W)



<b>Model</b>	SIT-CAM-MC 305 ANB	SIT-CAM-MC 305 FDB
<b>Video format</b>	NTSC / PAL	NTSC / PAL
<b>Number of pixels</b>	960x576 CVBS	1920x1080p AHD 2.0
<b>Matrix</b>	1/5" COLOR COMOS	1/4.2" COLOR COMOS
<b>Lens</b>	Pinhole M7	Pinhole M7
<b>Cable length</b>	0.8 m (black, white, gray)	
<b>Operating temperature</b>	-10 to 60 Degree C	
<b>Feeding</b>	Camera input: DC 3.3V (0.37W) DC-DC converter 12V (0.43W)	Camera input: DC 3.3V (0.27W) DC-DC converter 12V (0.31W)



**SIT-CAM-MC 305 ANB  
SIT-CAM-MC 305 FDB**