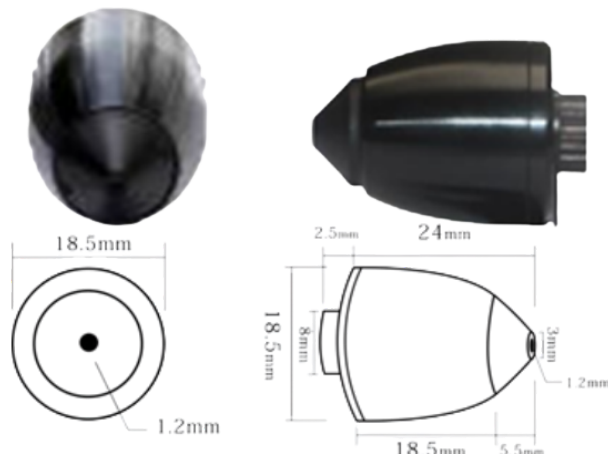




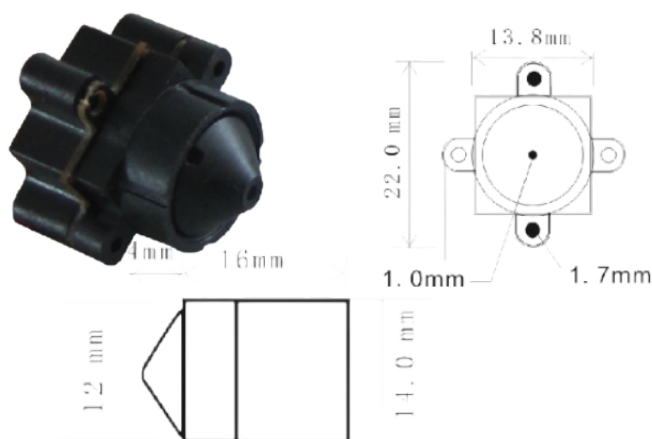
**MINI VIDEO CAMERA "SIT-CAM-908HDR"**

<b>Model</b>	SIT-CAM-908HDR
<b>Video format</b>	NTSC
<b>Number of pixels</b>	1024 x 768
<b>Matrix</b>	1/3" COMOS
<b>Resolution (TV Lines)</b>	1000 TV Line
<b>Lens</b>	Pinhole M12, F2.8, 90deg
<b>Minimum lighting</b>	0.008 Lux
<b>Operating temperature</b>	from -40 to 150 degrees Celsius
<b>Feeding</b>	Camera input: DC 3.3~5V
<b>Consumption</b>	180 mA (5V)
<b>Size (mm)</b>	D 18.5mm/H24 mm



<b>Model</b>	SIT-CAM-59P36
<b>Video format</b>	NTSC / PAL
<b>Number of pixels</b>	NTSC 720 x 480 / PAL 720 x 576
<b>Matrix</b>	1/4" COMOS
<b>Resolution (TV Lines)</b>	520 TV Line
<b>Lens</b>	Pinhole M12, 3.9 mm/F2.0, 90deg
<b>Minimum lighting</b>	0.008 Lux
<b>Operating temperature</b>	from -10 to 50 degrees Celsius
<b>Feeding</b>	Camera input: DC 3.3~24V
<b>Consumption</b>	65 mA (5V)/32mA (12V)
<b>Size (mm)</b>	14 x 14 x 29 mm

**MINI VIDEO CAMERA "SIT-CAM-59P36"**



<b>Model</b>	SIT-CAM-S9610-2C-P
<b>Video format</b>	NTSC / PAL
<b>Number of pixels</b>	960 x 576
<b>Matrix size</b>	4.88 mm x 3.67 mm (Diagonal :5.97mm)
<b>Pixel size</b>	5.00 um x 6.20 um
<b>Matrix</b>	1/3" Color CCIQ III Color Camera
<b>Resolution (TV Lines)</b>	710TV Line over (NTSC) , 740TV Line over (PAL)
<b>Viewing angle</b>	120°
<b>Lens</b>	Pinhole M10
<b>Minimum lighting</b>	0.05Lux at F1.2
<b>Frames per second</b>	60 (NTSC) , 50 (PAL)
<b>Sensitivity</b>	10.9 [V/Lux.sec]
<b>Storage temperature</b>	from -30 to 60 degrees Celsius
<b>Operating temperature</b>	from -10 to 45 degrees Celsius
<b>Feeding</b>	Camera input: DC 5~12V
<b>Consumption</b>	80 mA(max)-DC 12V
<b>Size (mm)</b>	11 x 11 mm +0.2mm

**MINI VIDEO CAMERA  
"SIT-CAM-S9610-2C-P"**

